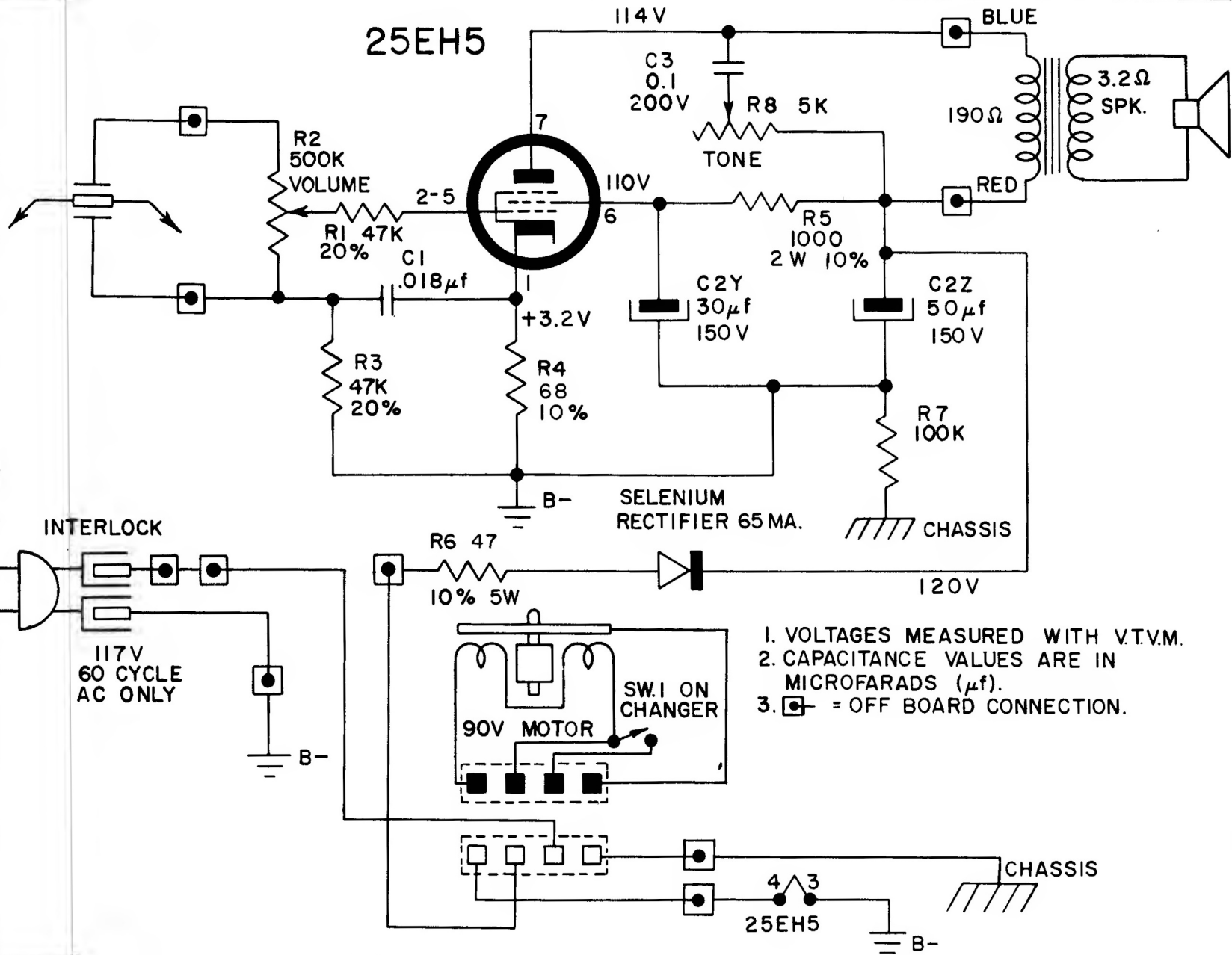
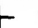


25EH5



1. VOLTAGES MEASURED WITH V.T.V.M.
2. CAPACITANCE VALUES ARE IN MICROFARADS (μf).
3.  = OFF BOARD CONNECTION.

ARVIN Models 83P43, 83P53, 83P55, Code 1.77001, and Model 83P15, Code 1.67201, is very similar except for tone control and motor type.